

# LIGHTsignal LED BEACON LIGHT

## Warning and safety lights



### 360° LED rotating beacon light

Improved visibility and therefore increased safety for you and others



### 12V & 24V compatible

Different application possibilities and high flexibility since compatible with both 12V and 24V vehicles



### Protection class: IP65 & IK08

The OSRAM LIGHTsignal LED has been tested in our DIN EN ISO/IEC 17025 certified environmental simulation laboratory for extreme external influences in terms of water, dust, heat, cold and impacts and validated with the protection classes IP65 & IK 08



### ECE Certified - ECE R65 & ECE R10

The required tests and approvals have been carried out and an ECE type approval has been granted1)



### Light is safety- See and be seen with OSRAM

The OSRAM LIGHTsignal LED BEACON LIGHT is a 360° rotating, amber LED rotating beacon that can be mounted on vehicles with unusual width, length or load, as well as on municipal vehicles, emergency vehicles, command vehicles and accident assistance vehicles to draw attention to an unusual situation in road traffic or in the working environment. The rotating beacon from OSRAM can be used for better visual recognition, marking and securing of danger spots or special locations. Furthermore, rotating beacons are used in certain facilities, on machines and devices as well as in alarm systems. The LED rotating beacon from OSRAM is characterized by a high efficiency due to eight long-life high-power LEDs with up to 1900 Kelvin and 1200 Lumen, thus ensuring improved visibility and thus increased safety for you and others - during the day and at night. Thanks to the non-slip, shock-absorbing rubber base, the LED warning light from OSRAM has a particularly high vibration insensitivity. At the same time, the fully rubberized base contributes as a seal between the product and the underground. In addition, the robust, shatterproof housing made of polycarbonate withstands even heavier loads. To reduce and prevent dirt from accumulating on the beacon, the OSRAM LIGHTsignal LED uses a smooth surface on the housing, thus preventing the signal effect from being impaired by dirt. The OSRAM LIGHTsignal LED BEACON LIGHT convinces with a high luminosity and at the same time with a low power consumption. Thanks to the low power consumption of the LEDs, the rotating warning light from OSRAM is also suitable for use over a longer period. Due to the compact and modern design, the beacon offers different application possibilities and a high flexibility since this is compatible with both 12V and 24V vehicles. The mounting material included in the delivery allows a direct and accurate mounting and thus an immediate use of the beacons. The three-point mounting system allows the beacon to be securely and firmly mounted on the vehicle roof. In addition, the LIGHTsignal LED warning light from OSRAM complies with the ECE R10 and R65 guidelines and is therefore approved for use in road traffic<sup>1)</sup> The OSRAM LIGHTsignal LED has been tested in our DIN EN ISO/IEC 17025 certified environmental simulation laboratory for extreme external influences in terms of water, dust, heat, cold and impacts from falls and validated with protection classes IP65 & IK08. The integrated thermal management system regulates the temperature of the LED light and can prevent damage from overheating. The polarity protection inhibits incorrect polarity reversal in the power supply and can thus avert possible damage, due to the automatic shutdown of the LEDs. OSRAM provides a 2-year guarantee<sup>2)</sup> on this product. Special regulations apply regarding the use and application of rotating beacons. This is regulated in the respective, country-specific road traffic licensing regulations.

# Product datasheet

## Technical data

### Product information

Order reference	RBL102
Application (Category and Product specific)	Warning and safety lights

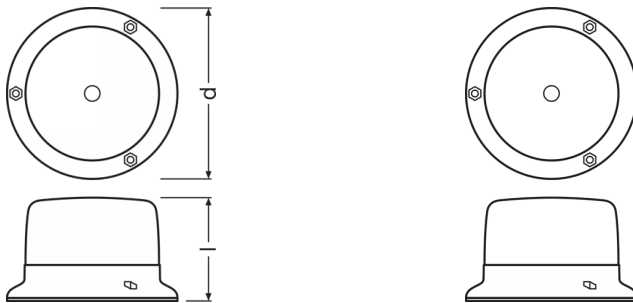
### Electrical data

Nominal wattage	7.00 W
Nominal voltage	12/24 V

### Photometrical data

Color temperature	1900 K
Light color LED	Amber

### Dimensions & weight



Product weight	305.00 g
Length	148.0 mm
Height	89.0 mm

### Lifespan

Guarantee	2 years
-----------	---------

### Capabilities

Technology	LED
------------	-----

### Certificates & standards

Type of protection	IP65 IK08
--------------------	-----------

### Country specific categorizations

## Product datasheet

Order reference	RBL102
-----------------	--------

### Environmental information



Information according Art. 33 of EU Regulation (EC) 1907/2006 (REACH)	
Date of Declaration	07-03-2024
Primary Article Identifier	4062172232258
Declaration No. in SCIP database	In work

### Logistical Data

Product code	Product description	Packaging unit (Pieces/Unit)	Dimensions (length x width x height)	Volume	Gross weight
4062172232258	LIGHTsignal LED BEACON LIGHT	Folding carton box 1	154 mm x 154 mm x 131 mm	3.09 dm <sup>3</sup>	372.00 g
4062172232265	LIGHTsignal LED BEACON LIGHT	Shipping carton box 12	470 mm x 315 mm x 315 mm	46.64 dm <sup>3</sup>	4804.00 g

The mentioned product code describes the smallest quantity unit which can be ordered. One shipping unit can contain one or more single products. When placing an order, for the quantity please enter single or multiples of a shipping unit.

### Download Data

File	
	User instruction LIGHTsignal LED
	Brochures OSRAM LIGHTsignal HAL BEACON LIGHT flyer (EN)
	Brochures OSRAM LIGHTsignal LED BEACON LIGHT flyer (EN)
	Movie application LIGHTsignal LED (EN)
	Video OSRAM LIGHTsignal LED Beacon Light (EN)

#### Legal advice

1) The OSRAM LIGHTsignal LED BEACON LIGHT is approved according to ECE regulations and may therefore be installed and operated on public roads. In addition to the ECE approval of the product, individual special regulations and laws of the countries must be observed. Please note: Special regulations apply regarding the use and application of rotating beacons. This is regulated in the respective, country-specific road traffic licensing regulations.2) For precise conditions please refer to: [www.osram.com/am-guarantee](http://www.osram.com/am-guarantee)

Application advice: For more detailed application information and graphics please see product datasheet and user manual.

## Product datasheet

### Application advice

For more detailed application information and graphics please see product datasheet.

### Disclaimer

Subject to change without notice. Errors and omission excepted. Always make sure to use the most recent release.

The OSRAM logo is displayed in a bold, orange, sans-serif font.