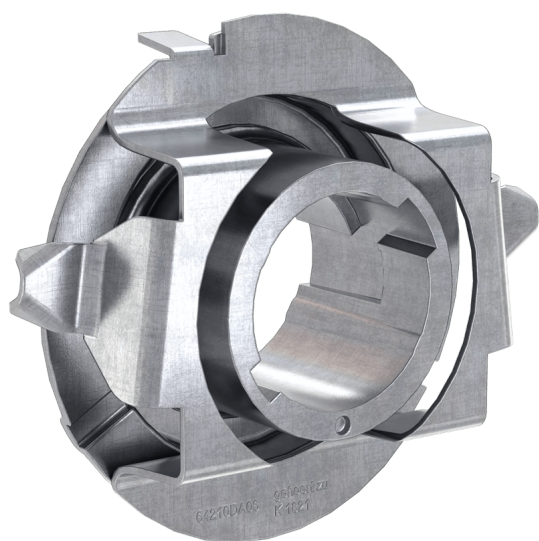


# LEDDriving ADAPTER (OFFROAD) 64210DA06-1

Accessories for LED retrofit lamps



### Making LED upgrades fit right in

The mounting brackets offer an easy installation and compatibility for a variety of cars. Guarantees a perfect fit due to optimal fastening of the H7 lamp.

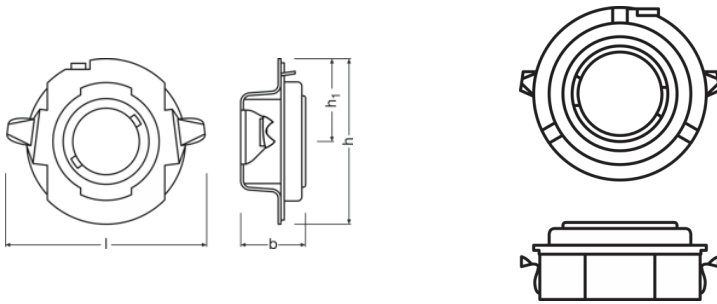
# Product datasheet

## Technical data

### Product information

Order reference	64210DA06-1
Application (Category and Product specific)	Accessories for LED retrofits

### Dimensions & weight



Diameter	33.9 mm
Product weight	3.00 g
Length	0.0 mm

### Lifespan

Guarantee	3 years
-----------	---------

### Capabilities

Technology	LED accessories
------------	-----------------

### Country specific categorizations

Order reference	64210DA06-1
-----------------	-------------

### Environmental information

Information according Art. 33 of EU Regulation (EC) 1907/2006 (REACH)	
Date of Declaration	08-03-2024
Primary Article Identifier	4062172201902
Candidate List Substance 1	Lead
CAS No. of substance 1	7439-92-1
Safe Use Instruction	The identification of the Candidate List substance is sufficient to allow safe use of the article.

## Product datasheet

Declaration No. in SCIP database

ec844785-45d7-4772-99fd-811db402986b

### Logistical Data

Product code	Product description	Packaging unit (Pieces/Unit)	Dimensions (length x width x height)	Volume	Gross weight
4062172201902	LEDriving Adapter 64210DA06-1	Folding carton box 2	100 mm x 80 mm x 60 mm	0.48 dm <sup>3</sup>	290.00 g
4062172201919	LEDriving Adapter 64210DA06-1	Shipping carton box 20	415 mm x 109 mm x 134 mm	6.06 dm <sup>3</sup>	290.00 g
4062172201926	LEDriving Adapter 64210DA06-1	Shipping carton box 120	435 mm x 348 mm x 300 mm	45.41 dm <sup>3</sup>	3287.00 g

The mentioned product code describes the smallest quantity unit which can be ordered. One shipping unit can contain one or more single products. When placing an order, for the quantity please enter single or multiples of a shipping unit.

### Download Data

#### File



User instruction  
LEDriving ADAPTER

#### Application advice

For more detailed application information and graphics please see product datasheet.

#### Disclaimer

Subject to change without notice. Errors and omission excepted. Always make sure to use the most recent release.

# OSRAM