

# LEDDriving DMI for BMW

Legal and powerful LED upgrade



### Dynamic LEDs

Fully dynamic LED mirror indicator with high-performance LEDs



### - Plug & Play

- Uncomplicated modification and installation- Quick modification and installation



### Up to 200% more brightness

1)  
High contrast day and night due to intensive yellow LED light2)



### ECE-certified

- ECE R6/R10- Completely legal- No registration in the car documents required



### Switch on the WOW with OSRAM LEDriving dynamic mirror indicators

Innovative & Up to date Driven by our pursuit of innovation and quality, we are redefining vehicle lighting from OSRAM. With the addition of the LEDriving dynamic mirror indicators, the extensive OSRAM LED portfolio has received an additional upgrade. These fully dynamic LED mirror indicators offer an innovative design to impressively complement the individual look of your vehicle. They score based on innovative high-performance LEDs with up to 200% more brightness<sup>1)</sup> and impressive high contrast during day and night due to intensive yellow LED light<sup>2)</sup> Thanks to the latest light guide technology, they also offer a homogeneous light distribution over the to be illuminated mirror indicator surface. As result of all these aspects, there is the possibility of an improved perception of your vehicle by oncoming traffic and consequently increased safety in road traffic. In addition, OSRAM grants a 5-year guarantee<sup>3)</sup> High compatibility & Individual design The LEDriving dynamic mirror indicators are not only characterized by their innovative lighting technology but also by a high level of compatibility. So, they are compatible with a variety of vehicle models. There are also two variants to choose from: The BLACK or WHITE EDITION: both are designed to effectively bring out the individual style of numerous vehicles. While the BLACK edition impresses with a tinted, black design, the WHITE edition features a clear and white design. Due to the two different versions, the LEDriving dynamic mirror indicators adapt perfectly to the exterior of a wide variety of vehicles. Completely legal & uncomplicated conversion Accentuating the vehicle completely legally, in a straightforward and extremely stylish way with eye-catching accents is now very easy with the latest OSRAM innovations. According to the ECE guidelines, the necessary tests and approvals have been carried out on the LEDriving dynamic mirror indicators, which means that they are completely legal in road traffic and a registration into the vehicle documents is not necessary. ECE certified according to ECE R6 / R10. The Plug & Play technology ensures a quick and uncomplicated installation of the LEDriving dynamic mirror indicators, existing cables do not have to be changed or damaged. Tested OSRAM quality according to DIN EN ISO / IEC 17025 The LEDriving dynamic mirror indicator has been tested in our DIN certified environmental simulation laboratory for extreme external influences regarding water, dust, cold & warm temperatures, UV light and permanent vibrations and validated with the IP protection class IP6K9K. Application advice: BMW 1 Series: F20, F21, F52 (2011 -) BMW 2 Series: F22, F23 (2014 -) BMW 3 Series: F30, F31, F34, F35 (2011-2019) BMW 4 Series: F32, F33, F36 (2013 -) BMW X1: E84 (2009-2015) Switch on the WOW with the OSRAM LEDriving dynamic mirror indicators<sup>1)</sup> Compared to the minimum requirements of ECE R6<sup>2)</sup> Compared to other mirror indicators<sup>3)</sup> for precise conditions please refer to: [www.osram.com/am-guarantee](http://www.osram.com/am-guarantee)

## Product datasheet

### Technical data

#### Product information

Order reference	LEDDMI F20 WT S
Application (Category and Product specific)	Side mirror indicator

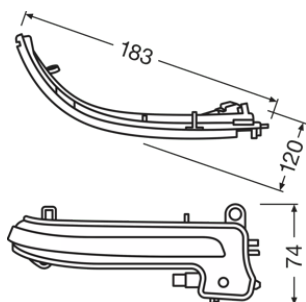
#### Electrical data

Test voltage	13.2 V
Nominal voltage	12.0 V

#### Photometrical data

Color temperature	2700 K
Intensity	min 0.6 cd

#### Dimensions & weight



Length	255.0 mm
Width	70.0 mm
Height	65.0 mm

#### Lifespan

Lifespan Tc	5000 h
Guarantee	5 years

#### Additional product data

Connector to lamp	Plug&Play
Product remark	White Edition

#### Capabilities

Technology	LED
------------	-----

## Product datasheet

### Certificates & standards

Standards	CCC/SAE/EAC/ECE R6, R10
Approval marks – approval	E24 approval
Type of protection	IP6K9K

### Country specific categorizations

Order reference	LEDDMI F20 WT S
-----------------	-----------------

### Environmental information




Information according Art. 33 of EU Regulation (EC) 1907/2006 (REACH)	
Date of Declaration	06-03-2024
Primary Article Identifier	4062172051286
Candidate List Substance 1	Lead
CAS No. of substance 1	7439-92-1
Safe Use Instruction	The identification of the Candidate List substance is sufficient to allow safe use of the article.
Declaration No. in SCIP database	ff848576-5cc9-427b-bc9a-829cee63337a

### Logistical Data

Product code	Product description	Packaging unit (Pieces/Unit)	Dimensions (length x width x height)	Volume	Gross weight
4062172051286	LEDiving DMI for BMW	Folding carton box 1	300 mm x 70 mm x 210 mm	4.41 dm <sup>3</sup>	242.00 g
4062172051293	LEDiving DMI for BMW	Shipping carton box 4	315 mm x 300 mm x 230 mm	21.74 dm <sup>3</sup>	1295.00 g

The mentioned product code describes the smallest quantity unit which can be ordered. One shipping unit can contain one or more single products. When placing an order, for the quantity please enter single or multiples of a shipping unit.

### Download Data

File
 User instruction LEDiving DYNAMIC MIRROR INDICATOR
 Video OSRAM LEDiving dynamic mirror indicators for BMW: Product Trailer (EN)
 Video OSRAM LEDiving Dynamic Mirror Indicator BMW Installation Video (EN)



Video  
OSRAM Quality Testing LEDriving dynamic Mirror Indicator (EN)

### Legal advice:

The LEDriving dynamic mirror indicators are fully ECE compliant for a replacement of OEM mirror indicators and therefore registration free. This does not include individual custom requirements of countries, in addition to the standardized ECE certification of the product.

- 1) Compared to the minimum requirements of ECE R6
- 2) Compared to other mirror indicators
- 3) for precise conditions please refer to: [www.osram.com/am-guarantee](http://www.osram.com/am-guarantee)

Application advice:

BMW 1 Series: F20,F21,F52 (2011 -)

BMW 2 Series:F22,F23 (2014 -)

BMW 3 Series: F30,F31,F34,F35 (2011-2019)

BMW 4 Series: F32,F33,F36 (2013 -)

BMW X1:

E84 (2009-2015)

Application advice:

For more detailed application information and graphics please see product datasheet.

Disclaimer:

Subject to change without notice. Errors and omission excepted. Always make sure to use the most recent release.

### Application advice

For more detailed application information and graphics please see product datasheet.

### Disclaimer

Subject to change without notice. Errors and omission excepted. Always make sure to use the most recent release.

# OSRAM