

64339 B 105-10

Halogen lamps with reflector, current-controlled, 62...105 W

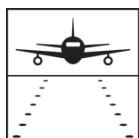


Product family benefits

- Reduced operation and maintenance costs due to long lifetime
- Instant and constant light output over the lamp life
- Flicker-free operation
- Mercury-free

Product family features

- Dimmable
- Available with connector combinations A, B, C/Z on request
- Infrared radiation output that provides light in the worst of conditions



Product datasheet

Technical data

Product information

Order reference	64339
-----------------	-------

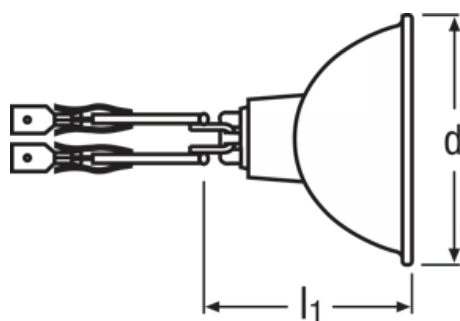
Electrical data

Lamp current	6.6 A
Nominal wattage	105.00 W

Photometrical data

Luminous intensity	30000 cd
Axial luminous intensity	32000 cd

Dimensions & weight



Diameter	50.4 mm
Length	48.0 mm
Length with base excl. base pins/connection	48.00 mm

Lifespan

Lifespan	1000 h
----------	--------

Capabilities

Burning position	Horizontal
Mains terminals	Leads w/female round connectors

Country specific categorizations

Order reference	64339
-----------------	-------

Environmental information

Product datasheet

Information according Art. 33 of EU Regulation (EC) 1907/2006 (REACH)

Date of Declaration	05-03-2024
Primary Article Identifier	4008321105462 4055462169426
Candidate List Substance 1	No declarable substances contained
Declaration No. in SCIP database	In work

Country specific information

Product code	METEL code	SEG-No.	STK-Number	UK Org
4008321105462	OSRH64339B	-	-	-
4008321105462	OSRH64339B	-	-	-

Product datasheet

Safety advice

To prevent personal injury or damage to property, halogen lamps may only be operated in suitable luminaires designed with suitable mechanisms (protective shields, grids, etc.) to ensure that in the event of a lamp bursting no parts/shards can escape and that during operation no ultraviolet radiation can escape. There must also be a warning sign to indicate that the lamps give off high levels of heat. Detailed information is available on request.

Logistical Data

Product code	Product description	Packaging unit (Pieces/Unit)	Dimensions (length x width x height)	Volume	Gross weight
4008321105462	64339 B 105-10	Folding carton box 1	48 mm x 48 mm x 60 mm	0.14 dm ³	36.00 g
4008321105479	64339 B 105-10	Shipping carton box 20	257 mm x 110 mm x 132 mm	3.71 dm ³	816.00 g

The mentioned product code describes the smallest quantity unit which can be ordered. One shipping unit can contain one or more single products. When placing an order, for the quantity please enter single or multiples of a shipping unit.

References / Links

For more information on airfield lamps see the brochure:

"The reliable guiding stars - Effective solutions for airfield lighting: Tungsten halogen lamps and LED light sources".

Disclaimer

Subject to change without notice. Errors and omission excepted. Always make sure to use the most recent release.
